

No.	Rev.	Issue
1	01	ISSUED FOR CONSTRUCTION
2	01	ISSUED FOR CONSTRUCTION
3	01	ISSUED FOR CONSTRUCTION
4	01	ISSUED FOR CONSTRUCTION
5	01	ISSUED FOR CONSTRUCTION
6	01	ISSUED FOR CONSTRUCTION
7	01	ISSUED FOR CONSTRUCTION
8	01	ISSUED FOR CONSTRUCTION
9	01	ISSUED FOR CONSTRUCTION
10	01	ISSUED FOR CONSTRUCTION
11	01	ISSUED FOR CONSTRUCTION
12	01	ISSUED FOR CONSTRUCTION



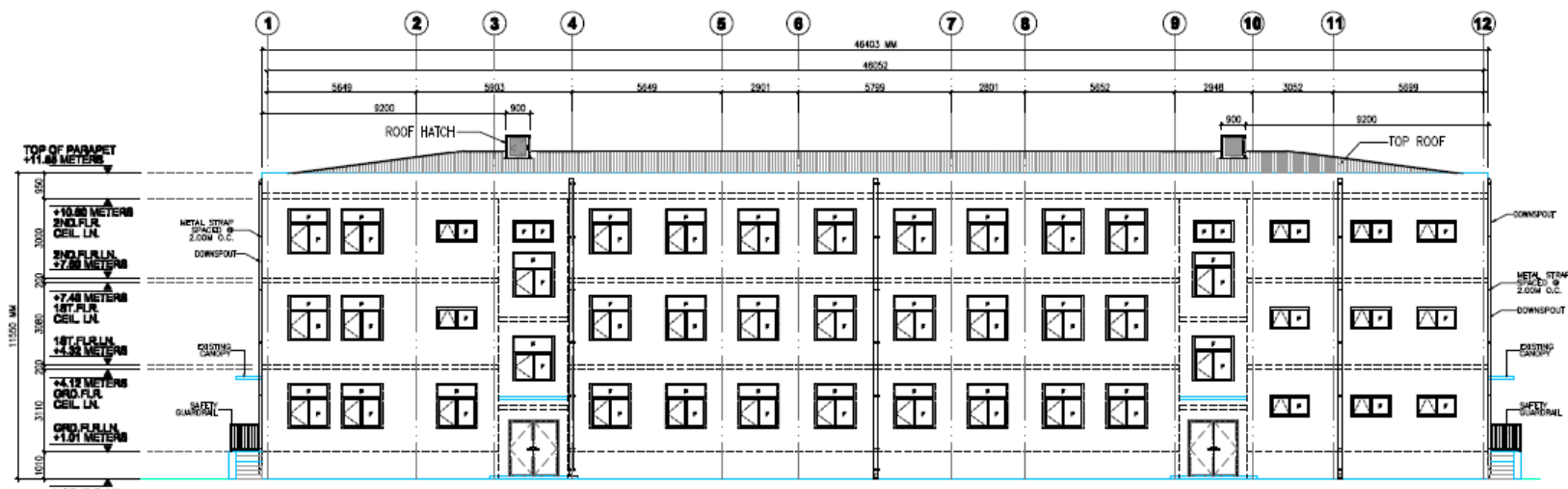
RENOVATION OF THE  
MINISTRY OF INTERIOR  
KABUL CITY FIRE STATIONS  
KABUL, AFGHANISTAN

MOI - FIRE DEPARTMENT HQ  
HQ ADMIN BLDG.  
ELEVATIONS

CONTRACT NO:  
FAB05-06-0-000  
JOB NO:  
0603-010-000  
DESIGNED BY:  
JOHANN PHOLOS  
DRAWN BY:  
BOHNER  
DATE:  
11 NOVEMBER 2011  
FILE NAME:  
ARCHITECTURAL  
SHEET NUMBER:  
A-06  
8/18



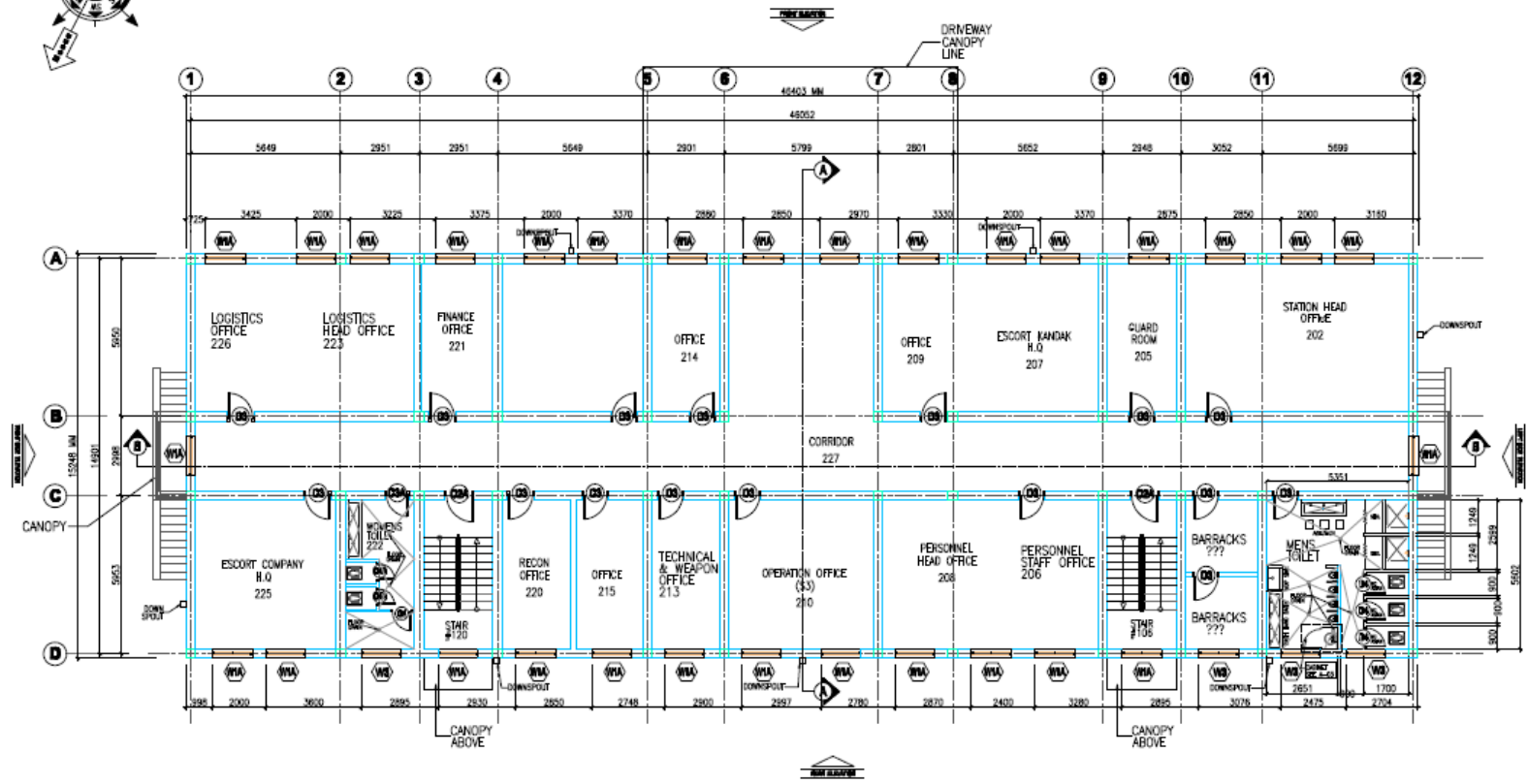
**1 FRONT ELEVATION**  
A06 SCALE: 1:200 METERS



**2 REAR ELEVATION**  
A06 SCALE: 1:200 METERS

NOTE:  
ALL MEASUREMENTS ARE IN MILLI-  
METERS UNLESS OTHERWISE NOTED





**1 FIRST FLOOR PLAN**  
**A02 SCALE : 1:175 METERS**

**LEGEND:**  
 — EXISTING WALL  
 ▨ WALL OPENING TO BE COVERED BY 3000 PSI CONCRETE

**NOTE:**  
 ALL MEASUREMENTS ARE IN MILLI-METERS UNLESS OTHERWISE NOTED



NO.	DATE	REVISION
1		ISSUED FOR PERMITS
2		ISSUED FOR PERMITS
3		ISSUED FOR PERMITS
4		ISSUED FOR PERMITS
5		ISSUED FOR PERMITS
6		ISSUED FOR PERMITS
7		ISSUED FOR PERMITS
8		ISSUED FOR PERMITS
9		ISSUED FOR PERMITS
10		ISSUED FOR PERMITS
11		ISSUED FOR PERMITS
12		ISSUED FOR PERMITS

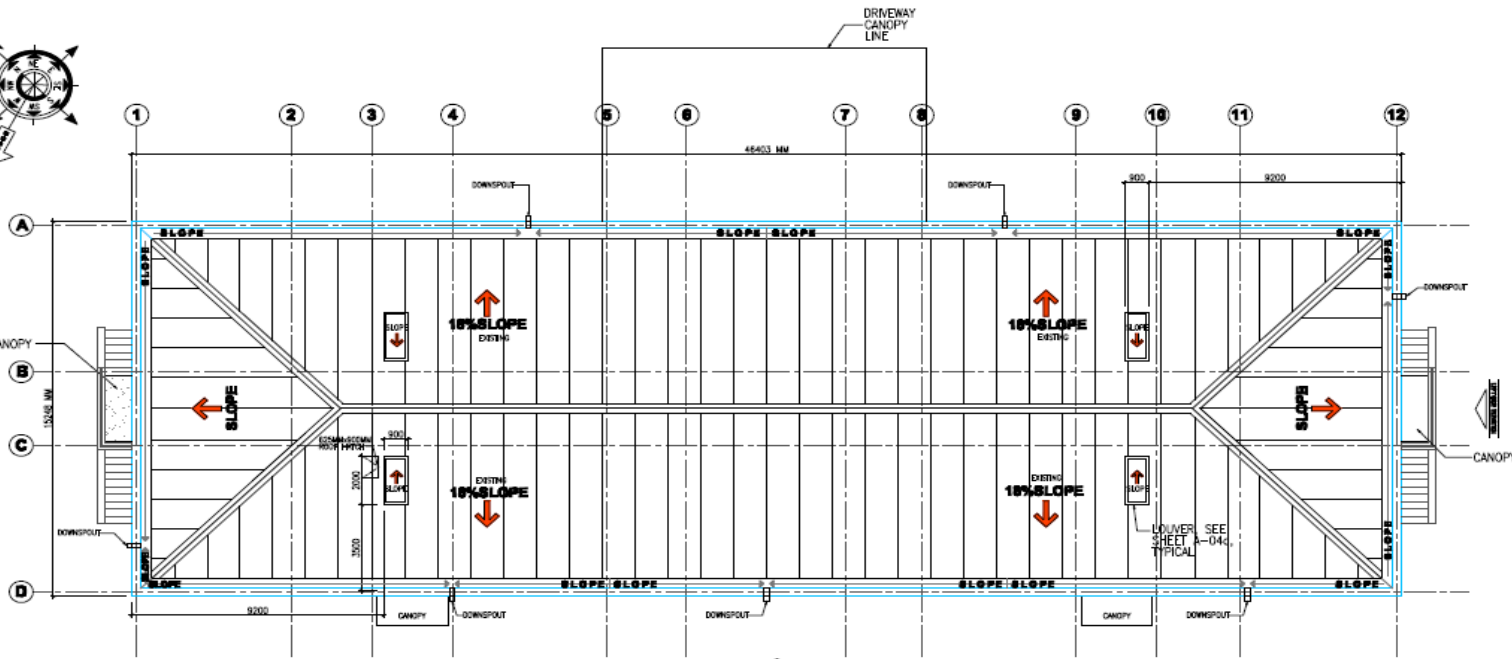


**RENOVATION OF THE  
 MINISTRY OF INTERIOR  
 KABUL CITY FIRE STATIONS  
 KABUL, AFGHANISTAN**

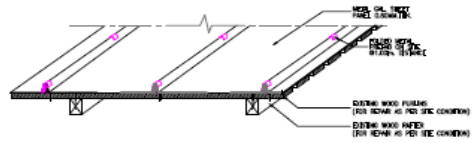
**NO 1 - FIRE DEPARTMENT HQ  
 HQ ADMIN. BLDG.  
 FIRST FLOOR PLAN**

**CONTRACT NO:**  
 FAB02-06-0-000  
**JOB NO:**  
 0002 010 002  
**CHECKED BY:**  
 JOHNNY PHOOL  
**DRAWN BY:**  
 SCHUBER  
**DATE:**  
 11 NOVEMBER 2011  
**FILE NAME:**  
 ARCHITECTURAL  
**SHEET NUMBER:**  
 A-02  
 8 / 10

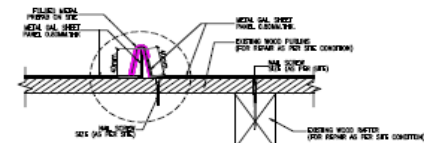




**1 ROOF PLAN**  
A04 SCALE : 1:175 METERS



**2 ROOF DETAIL**  
A04 NOT TO SCALE



**3 STANDING SEAM ROOF DETAIL**  
A04 NOT TO SCALE

NOTE:  
ALL MEASUREMENTS ARE IN MILLI-METERS, UNLESS OTHERWISE NOTED.

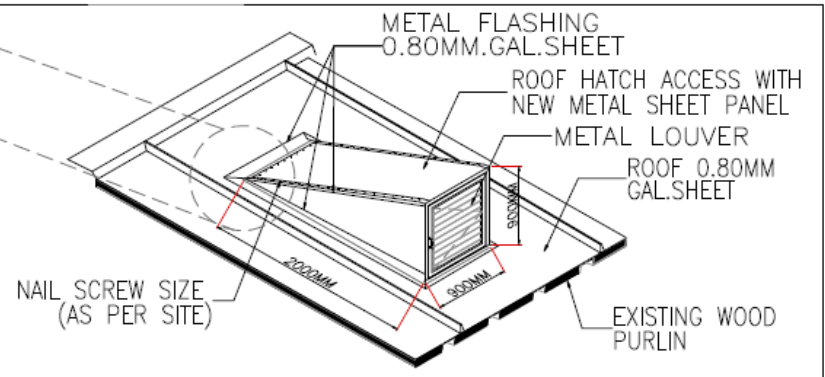
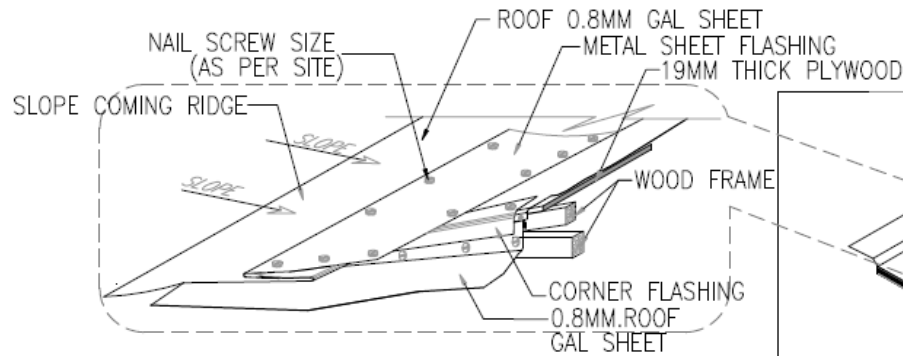
NO.	DESCRIPTION	DATE
1	ISSUED FOR PERMIT	18/11/2011
2	ISSUED FOR TENDER	18/11/2011
3	ISSUED FOR CONSTRUCTION	18/11/2011
4	ISSUED FOR CONSTRUCTION	18/11/2011
5	ISSUED FOR CONSTRUCTION	18/11/2011
6	ISSUED FOR CONSTRUCTION	18/11/2011
7	ISSUED FOR CONSTRUCTION	18/11/2011
8	ISSUED FOR CONSTRUCTION	18/11/2011
9	ISSUED FOR CONSTRUCTION	18/11/2011
10	ISSUED FOR CONSTRUCTION	18/11/2011
11	ISSUED FOR CONSTRUCTION	18/11/2011
12	ISSUED FOR CONSTRUCTION	18/11/2011



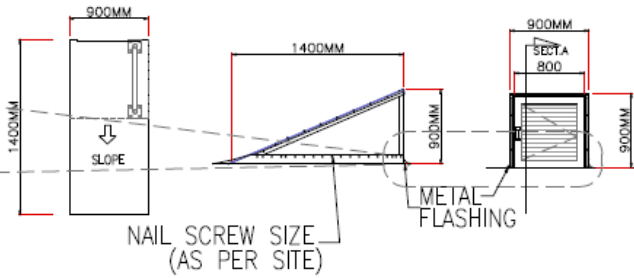
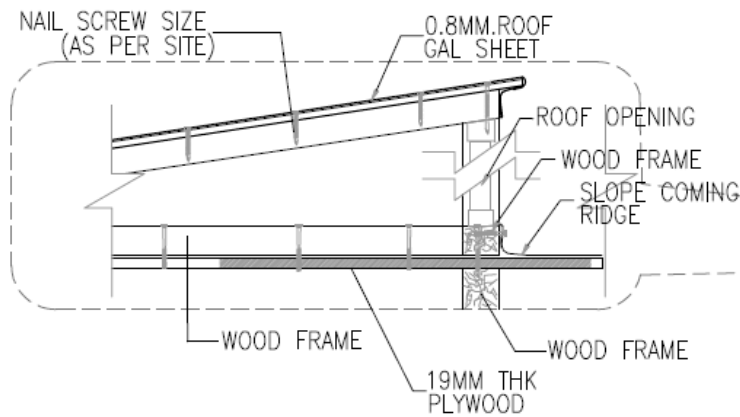
PROJECT NAME:  
**RENOVATION OF THE  
MINISTRY OF INTERIOR  
KABUL CITY FIRE STATIONS  
KABUL, AFGHANISTAN**

PROJECT TITLE:  
**M O I - FIRE DEPARTMENT HQ  
HQ ADMIN. BLDG.  
ROOF PLAN & DETAILS**

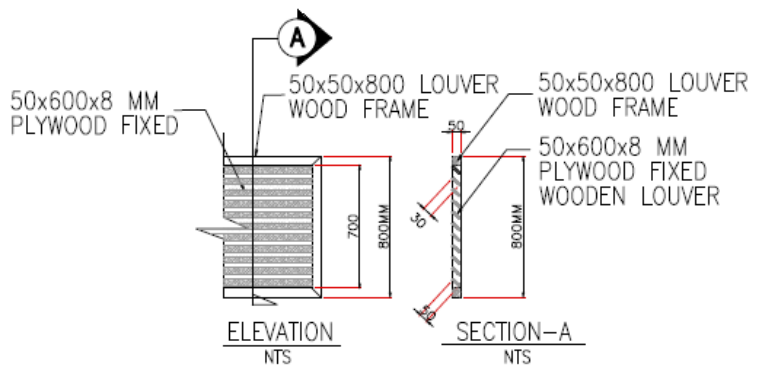
CONTRACT NO:  
PAR08-08-0-008  
JOB NO:  
08080101000  
CHECKED BY:  
JOHNNY PHOENIX  
DRAWN BY:  
BOHANN  
DATE:  
18 NOVEMBER 2011  
FILE NAME:  
ARCHITECTURAL  
SHEET NUMBER:  
A-04  
4/18



**1 ROOF ACCESS ISOMETRIC**  
A04a NOT TO SCALE



**2 ROOF ACCESS DETAILS**  
A04a NOT TO SCALE



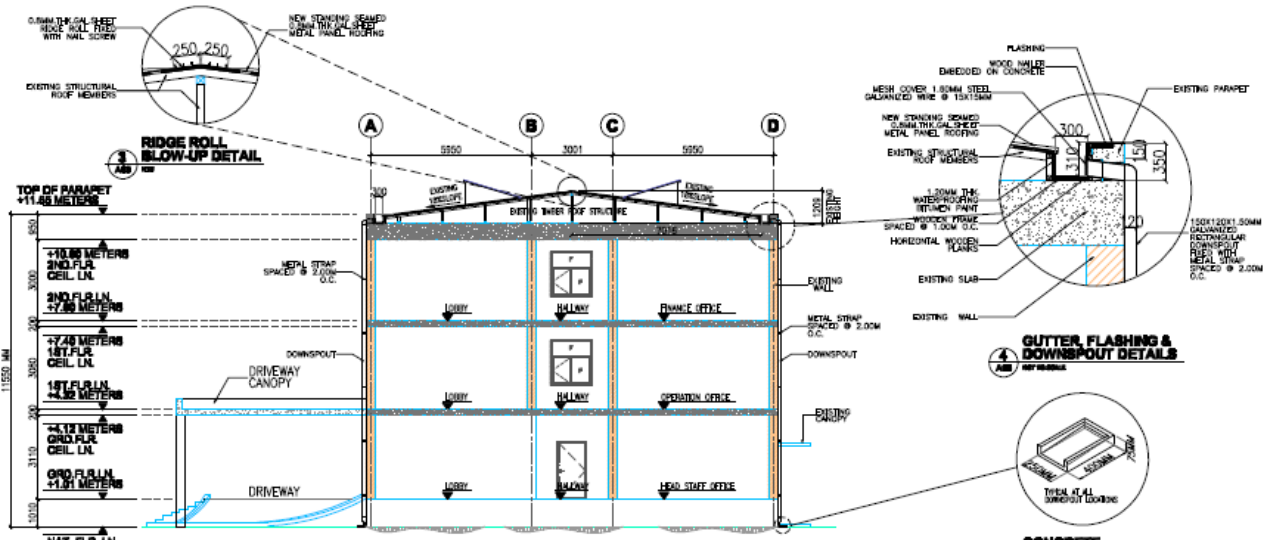
NO	REV	DESCRIPTION
1		ISSUED FOR PERMITS
2		ISSUED FOR CONSTRUCTION
3		ISSUED FOR CONSTRUCTION
4		ISSUED FOR CONSTRUCTION
5		ISSUED FOR CONSTRUCTION



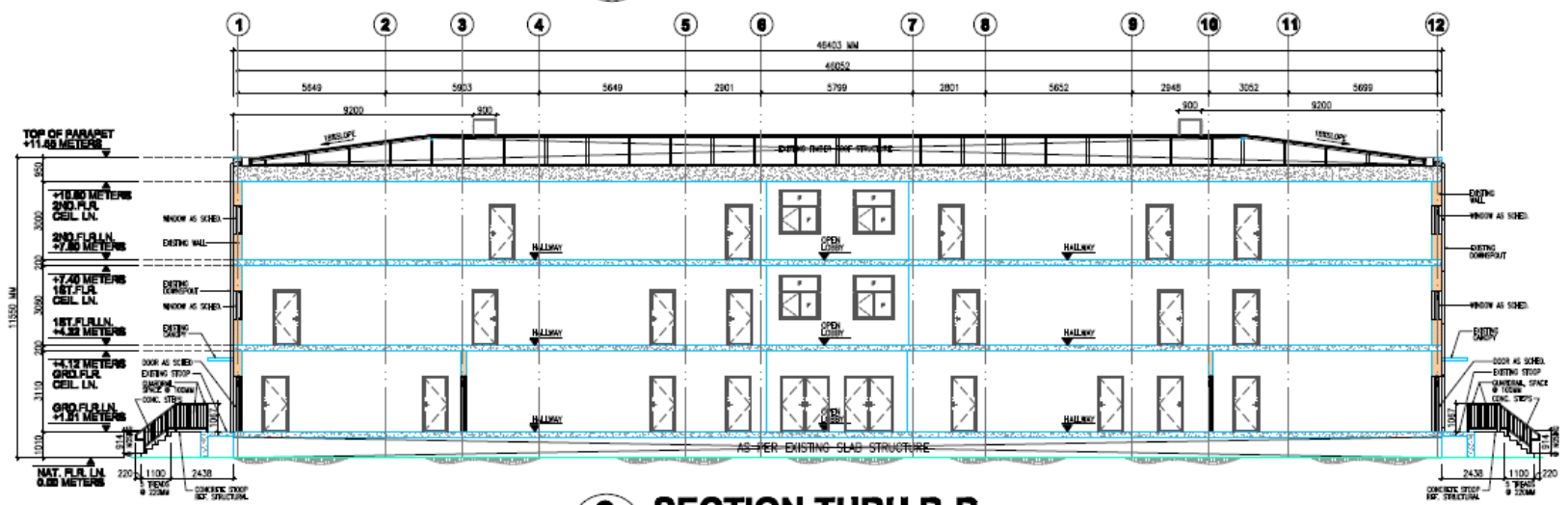
PROJECT TITLE  
**RENOVATION OF THE  
MINISTRY OF INTERIOR  
KABUL CITY FIRE STATIONS  
KABUL, AFGHANISTAN**

PROJECT TITLE  
**M O I - FIRE DEPARTMENT HQ  
HQ ADMIN. BLDG.  
ROOF HATCH & DETAILS**

CONTRACT NO:  
FAMES-06-0-008  
JOB NO:  
0608.016.000  
CHECKED BY:  
JOHNNY PRINGOL  
DRAWN BY:  
SCHNER  
DATE:  
29 JULY 2011  
FILE NAME:  
ARCHITECTURAL  
SHEET NUMBER:  
**A-04a**  
04a / 13



**1 SECTION THRU A-A**  
A05 SCALE: 1:178METERS



**2 SECTION THRU B-B**  
A05 SCALE: 1:178METERS

NOTE:  
ALL MEASUREMENTS ARE IN MILLI-METERS UNLESS OTHERWISE NOTED

NO.	DATE	REVISION
1		ISSUE FOR PERMIT
2		ISSUE FOR PERMIT
3		ISSUE FOR PERMIT
4		ISSUE FOR PERMIT
5		ISSUE FOR PERMIT
6		ISSUE FOR PERMIT
7		ISSUE FOR PERMIT
8		ISSUE FOR PERMIT
9		ISSUE FOR PERMIT
10		ISSUE FOR PERMIT
11		ISSUE FOR PERMIT
12		ISSUE FOR PERMIT



PROJECT NAME:  
**RENOVATION OF THE  
MINISTRY OF INTERIOR  
KABUL CITY FIRE STATIONS  
KABUL, AFGHANISTAN**

PROJECT TITLE:  
**M O I - FIRE DEPARTMENT HQ  
ING ADMIN. BLDG.  
SECTIONS AND DETAILS**

CONTRACT NO:  
FAB20-06-0-008  
JOB NO:  
6000-010-000  
CHECKED BY:  
JERRY PINOL  
DRAWN BY:  
SANDRA  
DATE:  
11 NOVEMBER 2011  
FILE NAME:  
ARCHITECTURAL  
SHEET NUMBER:  
A-05  
8/18

NO.	DATE	REVISION
0		ISSUE FOR DESIGN REVIEW
1		ISSUE FOR DESIGN REVIEW
2		ISSUE FOR DESIGN REVIEW
3		ISSUE FOR DESIGN REVIEW
4		ISSUE FOR DESIGN REVIEW
5		ISSUE FOR DESIGN REVIEW



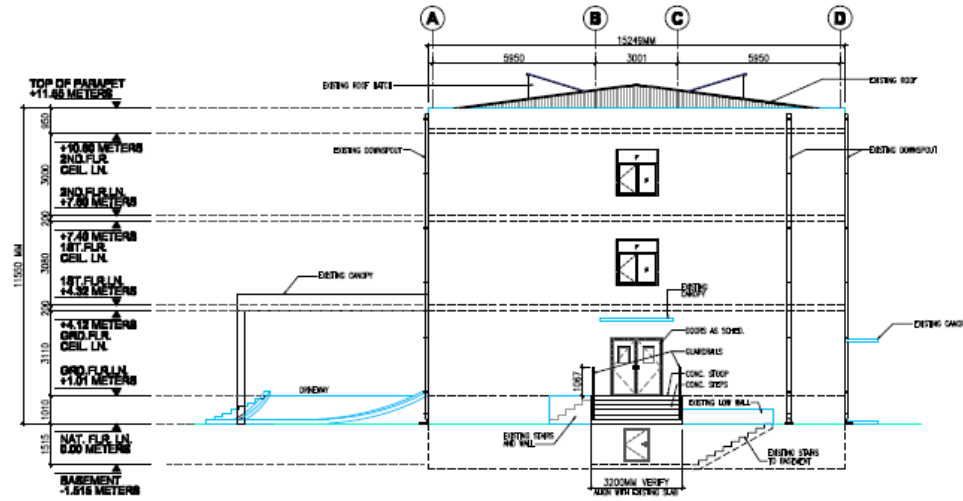
RENOVATION OF THE  
MINISTRY OF INTERIOR  
KABUL CITY FIRE STATIONS  
KABUL, AFGHANISTAN

PROJECT NUMBER:

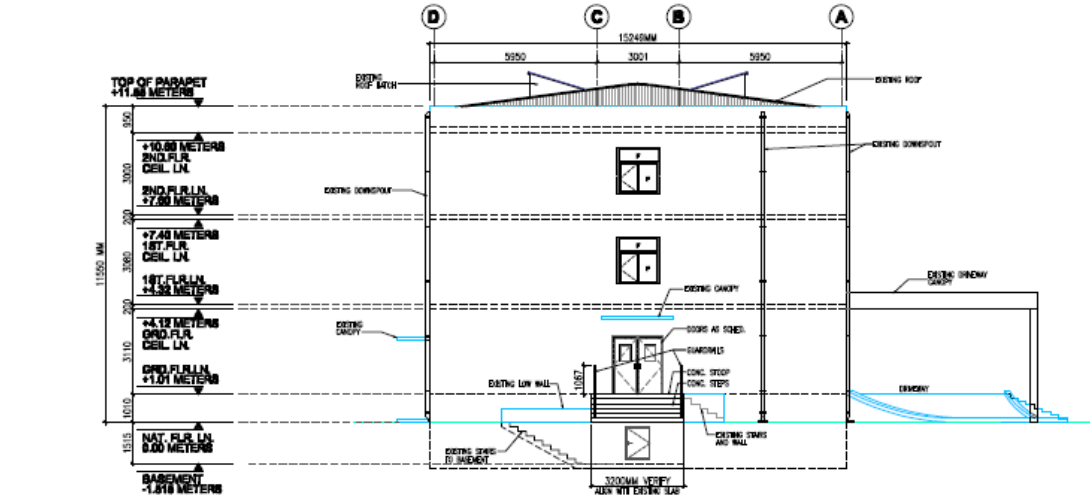
NO 1 - FIRE DEPARTMENT HQ  
HQ ADMIN. BLDG.  
ELEVATIONS

PROJECT TITLE:

CONTRACT NO.	FA808-06-C-000
JOB NO.	0608.010.00
CHECKED BY:	JOHNNY PHOOL
DRAWN BY:	BOHMER
DATE:	11 NOVEMBER 2011
FILE NAME:	ARCHITECTURAL
SHEET NUMBER:	A-07
	7/18

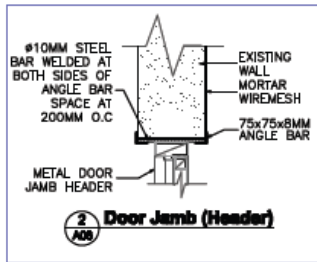


**1 RIGHT SIDE ELEVATION**  
A07 SCALE: 1:200 METERS

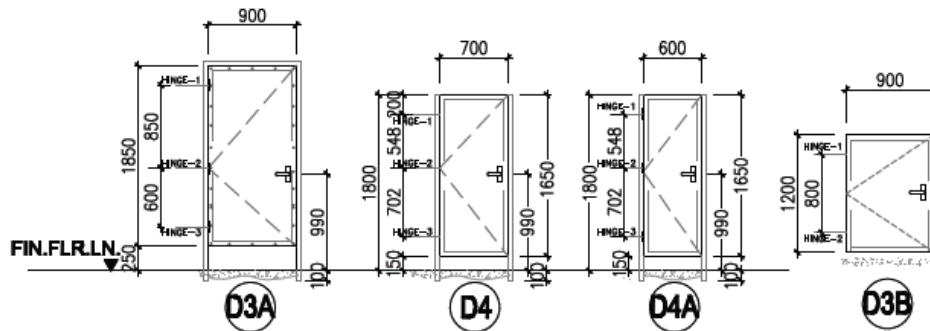
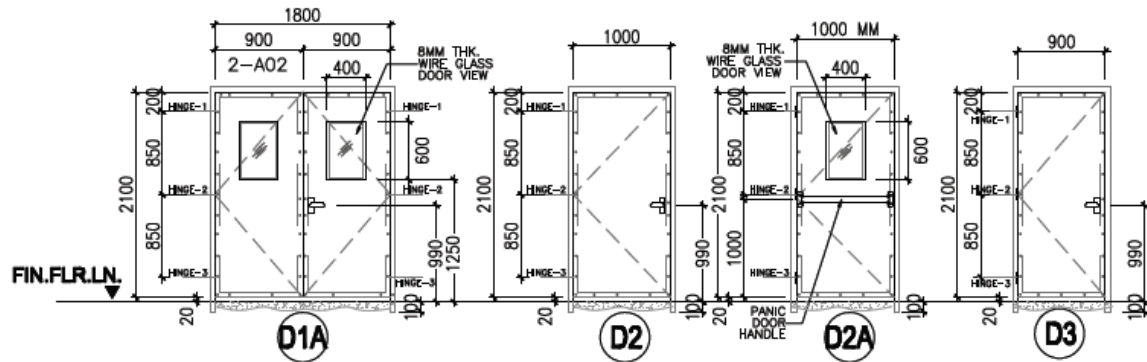
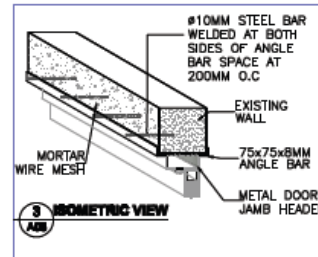


**2 LEFT SIDE ELEVATION**  
A07 SCALE: 1:200 METERS

NOTE:  
ALL MEASUREMENTS ARE IN MILLI-  
METERS UNLESS OTHERWISE NOTED



**NOTE :**  
 DOOR FRAMING METAL HOLLOW,  
 DETAILED PROFILE AS PER  
 MANUFACTURER'S SPECIFICATION.



**1 DOOR DETAILS**  
 A08 SCALE : 1:50 METERS

**NOTE:**  
 ALL DOORS ARE AS PER  
 STANDARD COMMERCIAL GRADE  
 SPECIFICATIONS.

**NOTE:**  
 ALL MEASUREMENTS ARE IN MILLI-  
 METERS UNLESS OTHERWISE NOTED.

Rev.	By	Comment
1	AP/68	ISSUED FOR CONSTRUCTION
2	AP/68	ISSUED FOR CONSTRUCTION
3	AP/68	ISSUED FOR CONSTRUCTION
4	AP/68	ISSUED FOR CONSTRUCTION



**RENOVATION OF THE  
 MINISTRY OF INTERIOR  
 KABUL CITY FIRE STATIONS  
 KABUL, AFGHANISTAN**

**MOI - FIRE DEPARTMENT HQ  
 HQ ADMIN. BLDG.  
 DOOR SCHEDULE**

CONTRACT NO. FABIS-08-0000
ADD NO. 000000000
CHECKED BY: JERRY PEREL
DRAWN BY: SCHUBER
DATE: 20 JULY 2011
FILE NAME: ARCHITECTURAL
SHEET NUMBER: A-08 8/10



