

REVISIONS

No.	Date	By	Project
1			
2			
3			
4			
5			
6			
7			
8			



RENOVATION OF THE
 MINISTRY OF INTERIOR
 KABUL CITY FIRE STATIONS
 KABUL, AFGHANISTAN

PROJECT NAME:

M O I - FIRE DEPARTMENT HQ
 HQ ADMIN. BLDG.
 TYPICAL INSIDE VIEW OF PANELS

PROJECT TITLE:

CONTRACT NO:
PAF000-09-D-000

JOB NO:
00000000

DRAWN BY:
A.PANJALANI

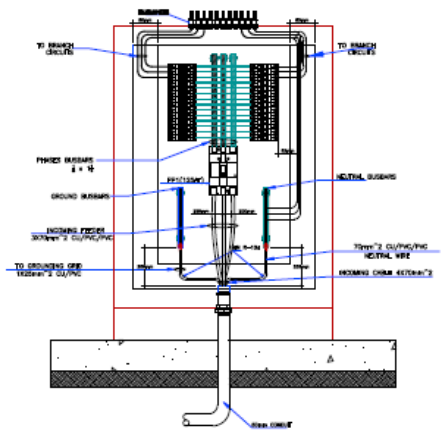
CHECKED BY:
BUDDY LOU

DATE:
04 NOVEMBER 2011

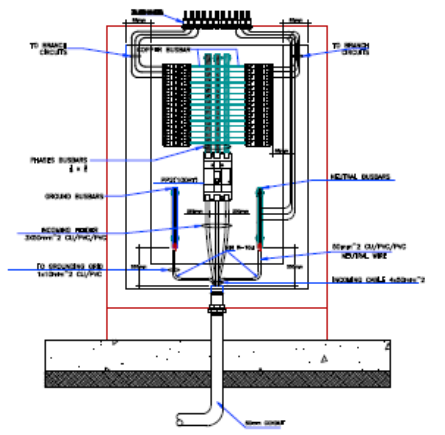
FILE NAME:
ELECTRICAL

SHEET NUMBER:
E-49

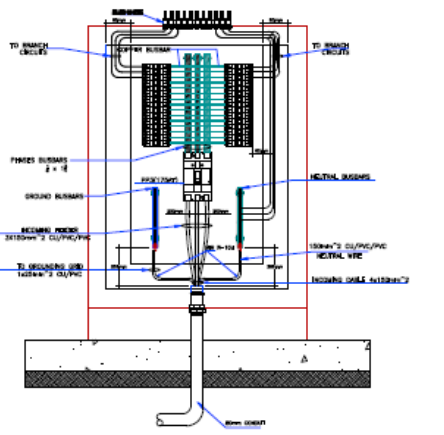
49/53



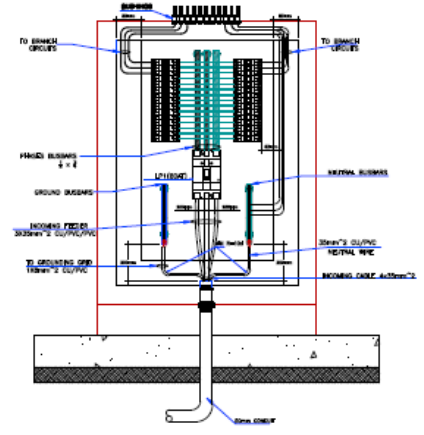
05 INSIDE VIEW OF POWER PANEL BOARD 1 (GRND 6r)
 E49 REF. SCALE: 1:5



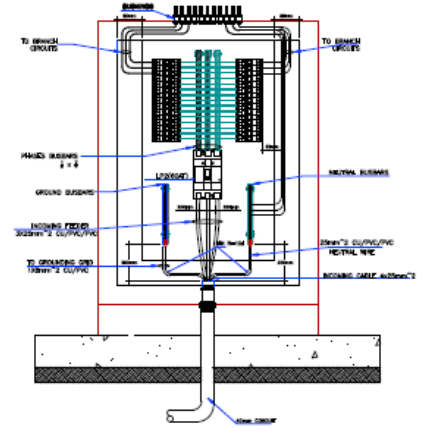
06 INSIDE VIEW OF POWER PANEL BOARD 2 (1st flr)
 E49 REF. SCALE: 1:5



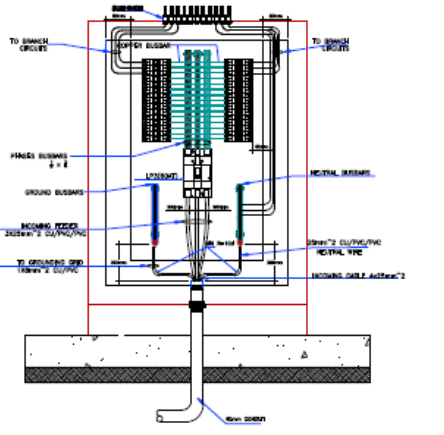
07 INSIDE VIEW OF POWER PANEL BOARD 3 (2ND flr)
 E49 REF. SCALE: 1:5



02 INSIDE VIEW OF LIGHTING PANEL BOARD 1 (Gnd flr)
 E49 REF. SCALE: 1:5



03 INSIDE VIEW OF LIGHTING PANEL BOARD 2 (1st flr)
 E49 REF. SCALE: 1:5



04 INSIDE VIEW OF LIGHTING PANEL BOARD 3 (2ND flr)
 E49 REF. SCALE: 1:5

1 TYPICAL INSIDE VIEW OF PANELS
 E49 SCALE: 1 : 100 METERS

REVISIONS:

No.	Date	Description
1		ISSUED FOR DESIGN SUBMIT
2		ISSUED FOR DESIGN SUBMIT
3		ISSUED FOR DESIGN SUBMIT
4		ISSUED FOR DESIGN SUBMIT
5		ISSUED FOR DESIGN SUBMIT
6		ISSUED FOR DESIGN SUBMIT



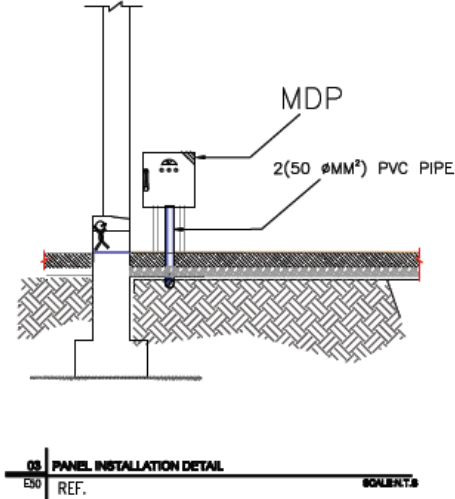
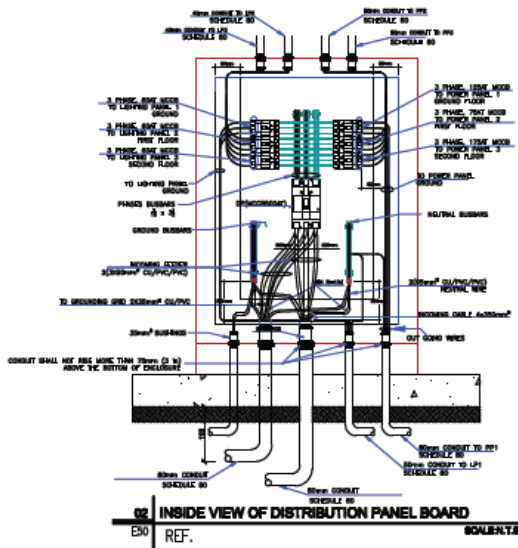
RENOVATION OF THE
MINISTRY OF INTERIOR
KABUL CITY FIRE STATIONS
KABUL, AFGHANISTAN

PROJECT NAME:

M 01 - FIRE DEPARTMENT HQ
HQ AMBUL BLDG
TYPICAL INSIDE VIEW OF PANELS

PROJECT FILE:

CONTRACT NO:
PABIS-01-0-0000
JOB NO:
0000000000
ORDERED BY:
ALPHABALING
DRAWN BY:
BUDDYLOUE
DATE:
04 NOVEMBER 2011
FILE NAME:
ELECTRICAL
SHEET NUMBER:
E-50
01/01



1 TYPICAL INSIDE VIEW OF PANELS
E50 SCALE: 1 : 500 (METERS)

Rev	Date	By	Checked
0	10/20/2011	ES	ES
1	10/20/2011	ES	ES
2	10/20/2011	ES	ES
3	10/20/2011	ES	ES
4	10/20/2011	ES	ES
5	10/20/2011	ES	ES
6	10/20/2011	ES	ES

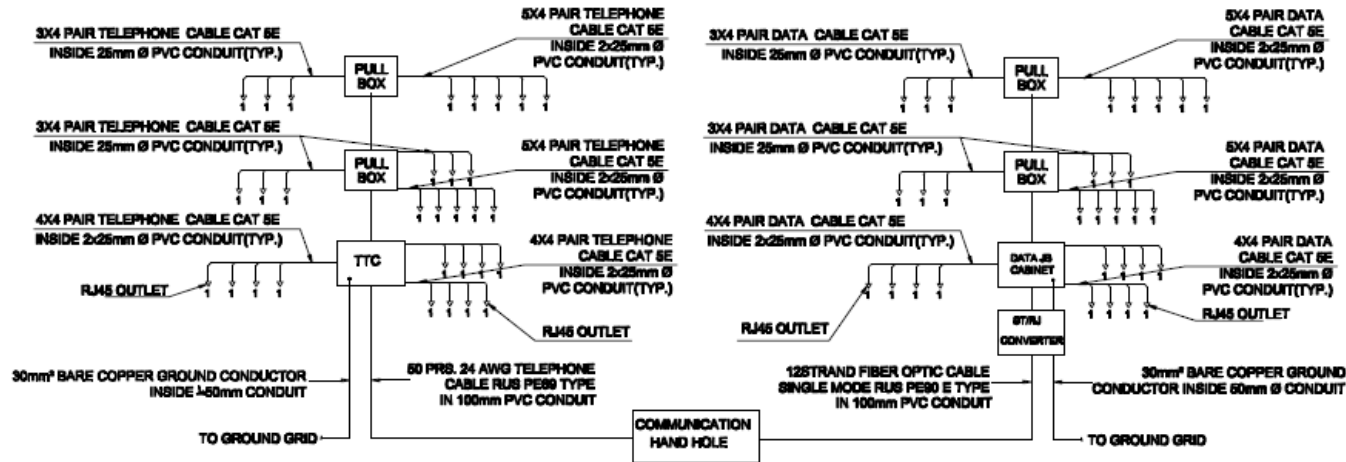


RENOVATION OF THE
MINISTRY OF THE
INTERIOR
KABUL CITY FIRE STATIONS
KABUL, AFGHANISTAN

PROJECT NAME:

PROJECT TITLE:
M O I - FIRE DEPARTMENT HQ
HQ ADMIN. BLDG.
COMMUNICATION SINGLE
LINE DIAGRAM

CONTRACT NO:
PA-0000-02-0-0000
JOB NO:
00000.000.000
CHECKED BY:
A.PANJGALING
DRAWN BY:
SIDDYALONE
DATE:
19 OCTOBER 2011
FILE NAME:
ELECTRICAL
SHEET NUMBER:
E-53
REV 00



1 COMMUNICATION SINGLE LINE DIAGRAM
SCALE: 1 : 100 METERS